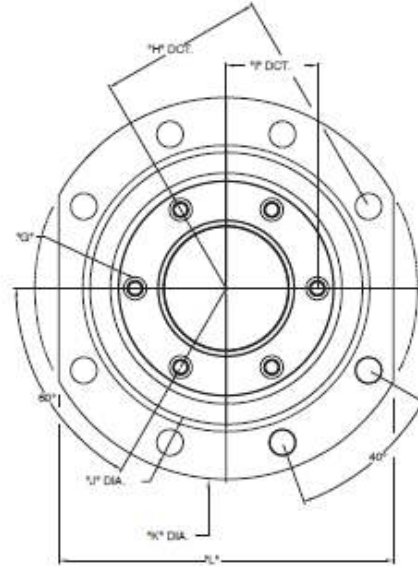
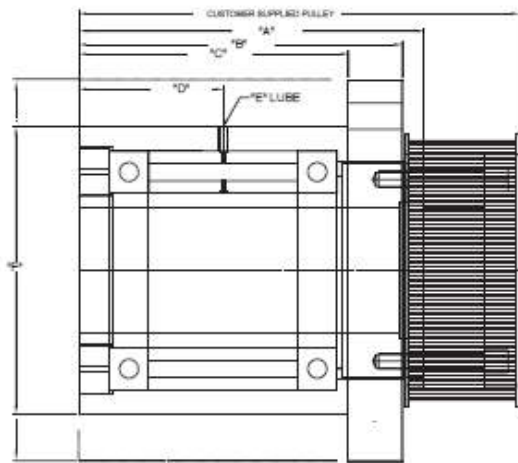


TYPICAL ROTATING NUT / METRIC

ROTATING BALLNUT



Screw Dia	Lead	Ball Dia.	# Turns	"A"	"B"	"C"	"D"	"E"	"F1"	"F2"	"G"	"H"	"I"	"J"	"L"
30	20	3.175	4	172.5	142.87	110.12	121.99	M6x1	146	105	M6 X1.25	126	custom	M10 X 1.5	N/A
40	10	4.749	2	140.84	135.25	N/A	63.62	M10 X1	150	N/A	M6 X1.25	134.01	49.47	M10 X 1.5	N/A
40	20	4.749	3	141.6	140.84	N/A	63.62	M10 X1	150	N/A	M6 X1.25	134.01	49.47	M10 X 1.5	N/A
50	5	3.175	12	131.44	121.92	N/A	107.64	M10 X1	177.8	N/A	M6 X1.25	161.29	82.55	M10 X 1.5	N/A
50	10	6.35	6	175.53	170.18	N/A	78.74	M10 X1	144.78	N/A	M6 X1.25	127.41	79.05	M10 X 1.5	N/A
50	20	6.35	6	296.57	276.23	N/A	123.35	M10 X1	230.8	N/A	M10 X 1.5	205.4	130	M12 X 1.75	N/A
60	20	9.525	6	296.57	231	201	111.13	M10 X1	290	220	M12 X 1.75	250	140	M12 X 1.75	N/A
100	20	6.35	6	288.85	236.85	206.46	110.36	M10 X1	289.56	220	M12 X 1.75	254	144	M16 SHCS	N/A
100	20	9.525	4	288.93	270.5	225.51	120.65	M10 X1	240	240	M12 X 1.75	275	152.4	M22 SHCS	280