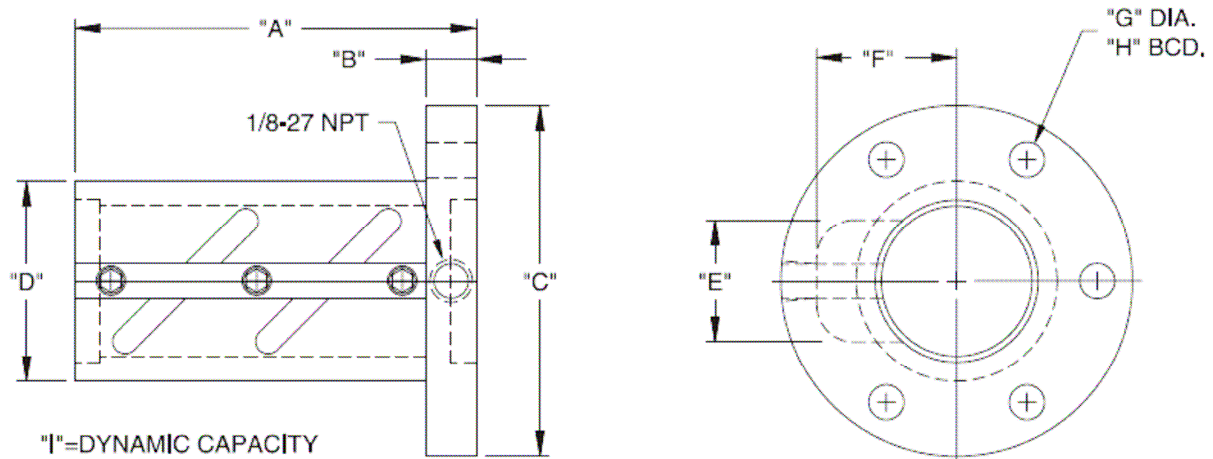


## EXTERNAL NUT / METRIC



SCREW DIA.	LEAD	BALL DIA.	# OF CKTS	TURNS/CKT	"A"	"B"	"C"	"D"	"E"	"F"	"G"	"H"	"I" (kgf)
16	5	3.175	1	3.5	41	10	60	40	22	19	4.5	50	332
16	10	3.175	1	1.5	42	11	63	40	22	19	5.5	51	202
20	5	3.175	2	2.5	56	11	67.0	44.0	25.9	20.7	5.5	55	522
25	5	3.175	2	2.5	55	11	73.0	33.7	30.7	23.2	6.8	51.1048	605
30	5	3.175	2	3.5	76	12	73.5	38.6	32.4	25.6	8.8	56.0832	912
30	6	3.962	2	3.5	84	12	74.4	39.5	33.2	26.8	8.8	56.9214	1247
40	5	3.175	2	3.5	80	16	83.5	48.6	41.1	30.6	10.8	66.0908	1103
40	6	3.962	2	3.5	88	16	84.4	49.5	41.9	31.9	10.8	66.929	1497
40	10	6.350	2	3.5	131	16	101.6	57.2	45.5	38.9	10.8	79.375	3030
50	5	3.175	2	3.5	84	20	93.5	58.6	49.7	35.6	10.8	76.0984	1272
50	6	3.962	2	3.5	92	20	94.4	59.5	50.5	36.8	10.8	76.9112	1737
50	10	6.350	2	3.5	135	20	111.6	67.2	54.1	43.9	10.8	89.3826	3516
60	6	3.962	2	3.5	92	20	104.4	69.5	59.2	41.8	13.0	86.9188	1962
60	10	6.350	2	3.5	135	20	121.6	77.1	62.8	48.9	13.0	99.3648	3970
63	8	6.350	2	3.5	110	20	125.0	80.7	67.0	52.0	13.0	100	3845
63	10	6.350	2	3.5	125	20	125.0	80.7	67.0	52.0	13.0	100	4142
63	20	9.525	2	2.5	162	20	145.0	85.0	71.0	61.0	13.0	115	6219
80	10	6.350	2	3.5	127	20	141.6	97.2	81.3	61.3	13.0	119.4	4834
80	20	9.525	2	3.5	168	20	145	100.6	84.6	66.2	13	122.8	9665

*All measurements are subject to final engineering approvals.*